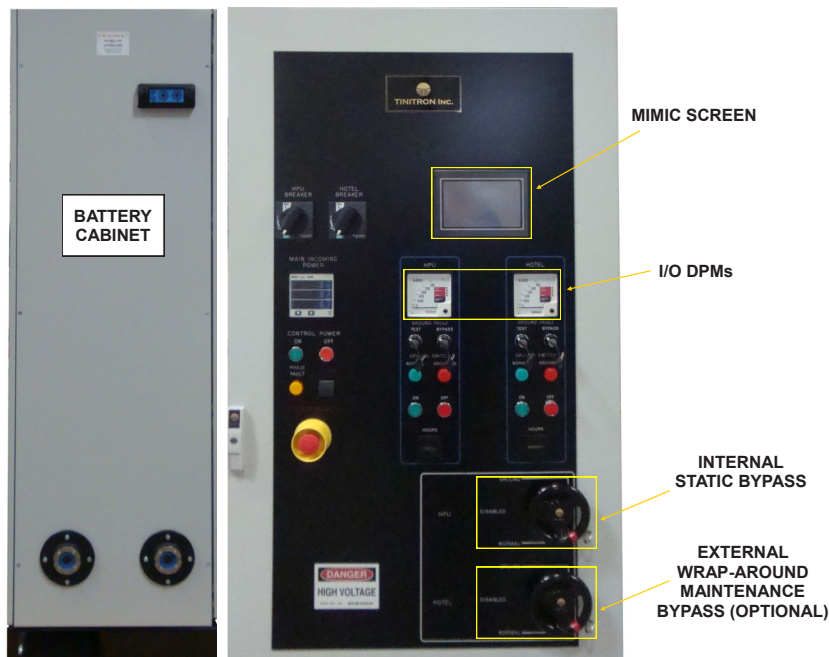




Uninterruptible Power System

UPS powers critical equipment during downtime

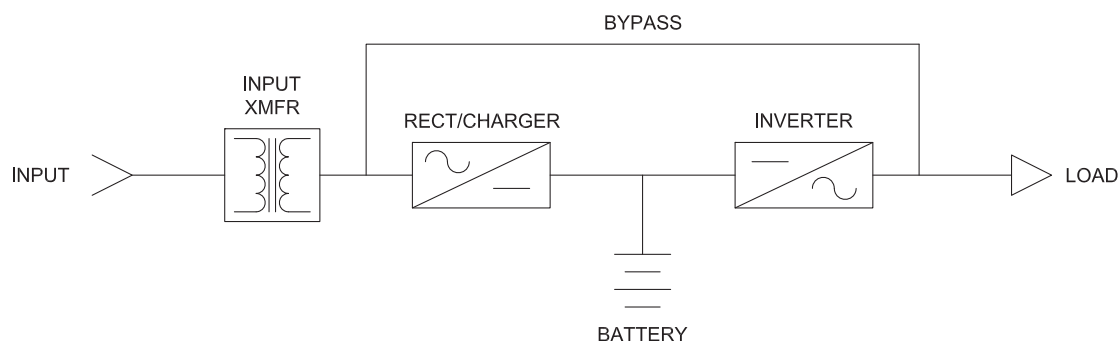


Features:

- › True on-line (double conversion) UPS.
- › < 1% input current THD.
- › Step-Wise Synthesis* power processing technology provides extremely clean, isolated power without the need for external regulating transformer.
- › *Evaluated by Sandia National Labs and selected by Federal DOE under ERIP program.

The TINNUPS UPS by Tinitron is a true, online, double conversion UPS (Uninterruptible Power System) that mitigates all utility power problems and provides clean, continuous, uninterrupted power to connected equipment. Whether you need a commercial UPS or a ruggedized outdoor UPS for military, marine, or industrial applications, there's a TINNUPS model to meet your needs.

SINGLE LINE DIAGRAM





Uninterruptible Power System

UPS powers critical equipment during downtime

Technical Specifications

Power Rating	Output Power Rating (kVA)	50	Notes
	Output Power Rating (kW) .8 PF	40	
Energy Usage	Efficiency at 50% Load	94%	
	Efficiency at FULL LOAD	93%	
	BTU/hr at FULL LOAD	12,000	
Wt & Dims (UPS Module only)	Dimensions (WxDxH) (Inches)	36x32x72	
	Weight (lbs)	1,200	Uncrated
Input	Voltage	480/277 3ph, 4-Wire + Ground (for 3-Wire consult factory)	
	Topology	Step-Wise Synthesis	
	Voltage Range (w/o battery discharge)	+15%, -20%	
	Power Factor (lagging)	.99 (no filter)	
	Current THD	<1%	
	Frequency	55-65 Hz	
Output	Voltage	480/277 3ph; 3-Wire or 4-Wire + Ground or 208/120*	*Consult factory
	Topology	Step-Wise Synthesis	
	Frequency	6Hz (+/-3 Hz)	
	Crest Factor	3:1	
	Voltage Regulation	+/- 1%	
	0 to FL Regulation	+/-3%	
	100% Linear Load Regulation	2% THD Maximum	
	100% Non-Linear Load Regulation	3% THD Maximum	
	Overload Capability on Inverter	125% for 10 mins, 150% for 1 min.	
	Overload Capability on Static Bypass	110% Continuous, 200% for 5 mins.	
Battery	Compatible Technologies	VRLA, Wet Cell, Lead-Calcium	
	Recharge Time	10x discharge time	
	Internal Batteries Available	Not Available	
General	Audible Noise	50 db(A)	
	Ambient Operating Temp	UPS Module: 32 to 104° F (0-40° C)	
	Humidity	0-95% Non-condensing	
	Certifications	CE mark, UL 1778 pending (2 nd Quarter, 2017)	
	Standards	IEC62040	
	Communication Options	RS232/ SNMP/ Modbus	
	Color	Grey with Black plinth/fork base	
	Warranty	1-year after startup or 18 months after shipment Extended Warranty Options available	



TINITRON INC.

6501 NW CROENI RD.
HILLSBORO, OR 97124